

# ネコカリシウイルス (FCV) の分子多様性に関する研究

## *Study on the molecule diversity of Feline Calicivirus (FCV)*

原 元宣<sup>1</sup>, 木内明男<sup>2</sup>, 福山正文<sup>3</sup>

<sup>1</sup>麻布大学 獣医学部 微生物学第2研究室, <sup>2</sup>麻布大学 獣医学部 微生物学第1研究室,  
<sup>3</sup>麻布大学 環境保健学部 微生物学研究室

Motomobu Hara<sup>1</sup>, Akio Kiuchi<sup>2</sup>, Masafumi Fukuyama<sup>3</sup>

<sup>1</sup> Department of Microbiology 2, School of Veterinary Medicine, Azabu University,  
<sup>2</sup> Department of Microbiology 1, School of Veterinary Medicine, Azabu University,  
<sup>3</sup> Department of Microbiology, School of Environmental Health, Azabu University

**Abstract.** A multicat household experienced an epidemic of feline calicivirus (FCV) infection. We analyzed molecular evolution of isolated FCVs by a phylogenetic tree reconstructed around the genotype of FCV that was isolated from the cat of infectious origin. FCV was isolated from eight of 34 cats: two 1-year-old, male littermates that became latent carriers (Ao198-1 and Ao199-1); two 3-month-old littermates (Ao222-1 and Ao224-1); three 4-month-old littermates (Ao210-1, Ao212-1 and Ao213-1) and a 5-month old (Ao210-1). All the isolates belonged to the genogroup II, and their nucleotide sequences showed > 94% homology. They were subdivided into six distinct clusters by phylogenetic analysis, and Ao198-1, the source of infection, was most closely related to Ao199-1, then Ao212-1, Ao210-1, Ao214-1, Ao213-1, Ao222-1 and Ao224-1 in this order. The similar result was obtained by phylogenetic analysis of amino acid sequences. Sequence alignments of the isolates showed that the nonsynonymous substitution/total number of nucleotides ratio was < 40% in the regions A, B, D and F, and > 60% in the regions C and E. The nucleotide substitution/total number of nucleotides ratio was 33%, 12% and 15.6% at the region C and two hypervariable regions (5' and 3'HVRs) of the region E, respectively, and less than 10% at the other regions. For amino acids, the ratio was 50%, 24%, 10.3% and 25% at 5' and 3'HVRs of the regions C and E, respectively, especially high at the 5'HVR of the region C. The other regions were less than 10%. Our result suggested that the virus, while its transmission to the newborn cats, underwent frequent mutation especially at the regions C and E, suggesting these regions were most often involved in evolution of the FCV genome.

## 1. 目的

Feline Calicivirus (FCV) 感染症は猫の上部気道疾患であり, FCVは活動型の無症状感染の状態、回復猫で持続感染しており, ウイルスが排泄されることがある。多頭飼育された猫のFCV感染症集団発生は, 必ずしも母親から感染するとは限らず, 他の個体から感染する可能性があるため, 感染ルートを識別することが必要となる。ウイルスの配列から分子

系統樹を作成, 検討することにより, 家族からの感染か否かを推定する方法が用いられているので, 我々は, 集団内感染が疑われる猫からの分離FCV株の塩基配列を決定し, 分子系統樹を作成し, 遺伝子解析により, 家族内感染, 母子間感染の頻度やリスクファクターを検討した。

## 2. 方法

34匹を飼育する家庭内で分離されたFCVから,

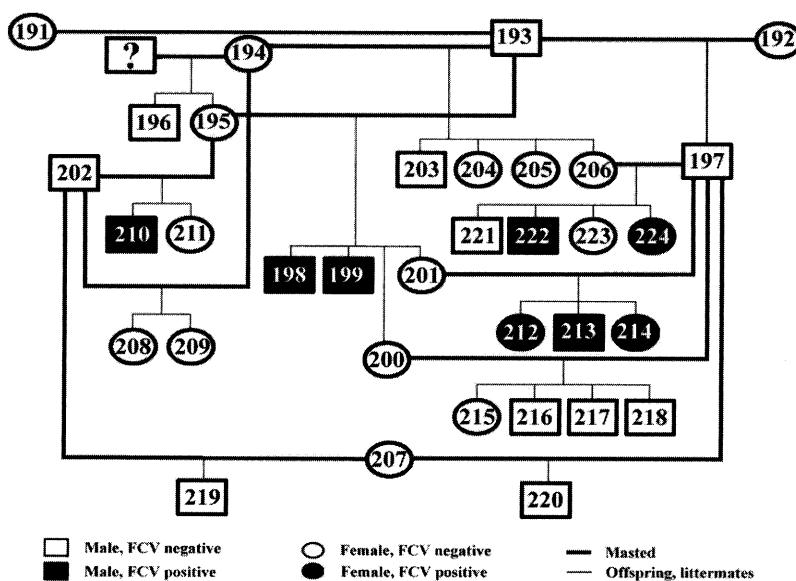


Fig. 1. Family tree of the 34 cats.

RT-PCRによりカプシド領域を増幅し、TAクローニングベクターにより、遺伝子クローニングを行い、塩基配列を決定した。NJ法により分子系統樹を作成し解析を行った。

### 3. 結果と考察

- 1) 34匹中8匹 (PERO, MIRO, BON, MARU, MOGU, KOKO, TEN, KUMI) から、ウイルスが分離され、それぞれ Ao198-1, Ao199-1, Ao210-1, Ao212-1, Ao213-1, Ao214-1, Ao222-1, Ao224-1とした (図1)。
- 2) FCVのカプシド領域を検出するプライマーとして、Sealのプライマーが用いられているが、Sealのプライマーで検出できなかったため、新たにプライマーを構築し (Aoのプライマー)、検出を試みた所、目的の産物が検出された (図2)。
- 3) 分離ウイルスのシーケンス解析により、ワクチン株 (F9株) とのホモロジーが75.5%以下であること、それぞれのホモロジーが94%以上であることから、8匹に感染したFCVは、同一ウイルスであることが明らかとなった (図3)。
- 4) 1年後のウイルス再分離では、同腹猫のPEROとMIROからウイルス分離がされており、この2匹が持続感染状態でウイルスを排泄していることが判明した。また、年齢がこの2匹のみ約1歳で、他の6匹は5ヶ月齢以下の幼猫でワクチンを接種していないもの (2匹) と接種しているもの (4匹) がおり、

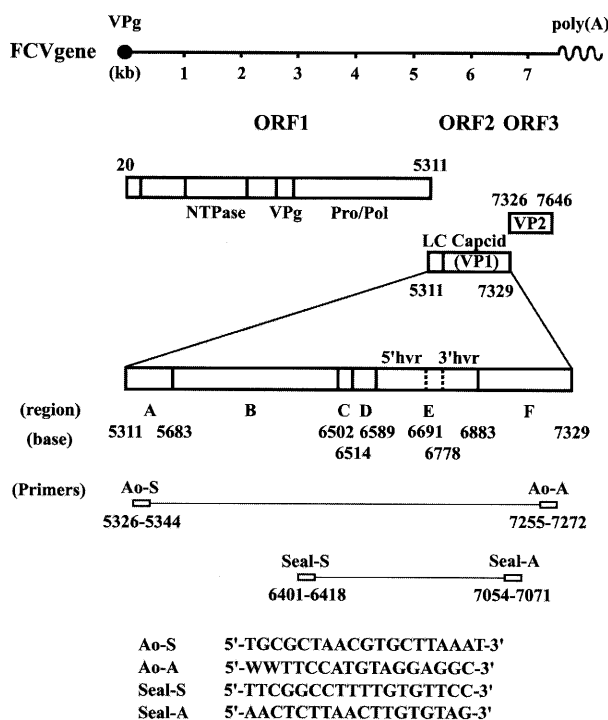


Fig.2. Genome map of FCV and PCR primers.

母親はいたが移行抗体の減少時期にあると思われ、それにより十分に防御できなかった可能性がある。これらのことを考慮に入れ、分子系統樹の樹形により、PERO (Ao198-1) が感染源となり、次いで MIRO (Ao199-1) → MARU (Ao212-1) → BON (Ao210-1) → KOKO (Ao214-1) → MOGU (Ao213-1) → TEN (Ao222-1), KUMI (Ao224-1) と伝播してい

AA	DNA	Ao198-1	Ao199-1	Ao210-1	Ao212-1	Ao213-1	Ao214-1	Ao222-1	Ao224-1
Ao198-1	99.7-100	99.2-100	99.5-99.8	96.1-96.4	97.4-97.8	96.3-96.8	96.6-96.9	96.4-96.8	96.5-96.8
Ao199-1	99.1-99.8	99.7-100	99.8-100	96.3-96.5	97.6-97.9	96.5-96.9	96.8-97.0	96.6-96.9	96.7-96.9
Ao210-1	94.9-96.6	95.6-96.1	99.7-100	99.7-100	96.7-97.0	97.4-97.7	97.6-97.8	97.2-97.5	97.3-97.5
Ao212-1	96.2-97.0	96.8-97.3	95.9-96.2	99.6-99.8	99.5-99.7	96.9-97.4	97.1-97.4	96.7-97.1	96.8-97.1
Ao213-1	94.8-96.1	95.4-96.2	96.7-97.5	95.4-96.4	99.2-99.5	98.9-99.1	98.3-98.6	98.3-98.6	98.4-98.7
Ao214-1	95.4-96.1	96.1-96.2	97.6-97.9	95.9-96.1	97.3-97.8	99.4-99.6	99.4	98.3-98.5	98.4-98.6
Ao222-1	94.5-95.6	95.1-95.7	96.2-97.0	94.8-95.4	97.0-97.8	97.5-97.9	99.7-100	99.1-100	99.6-99.9
Ao224-1	94.4-95.6	95.4-95.7	96.5-97.0	95.1-95.4	97.3-97.8	97.8-97.9	99.1-100	99.5-100	99.7-99.9

Fig.3. Homology based on the nucleotide sequences and amino acid sequences of the isolated viruses.

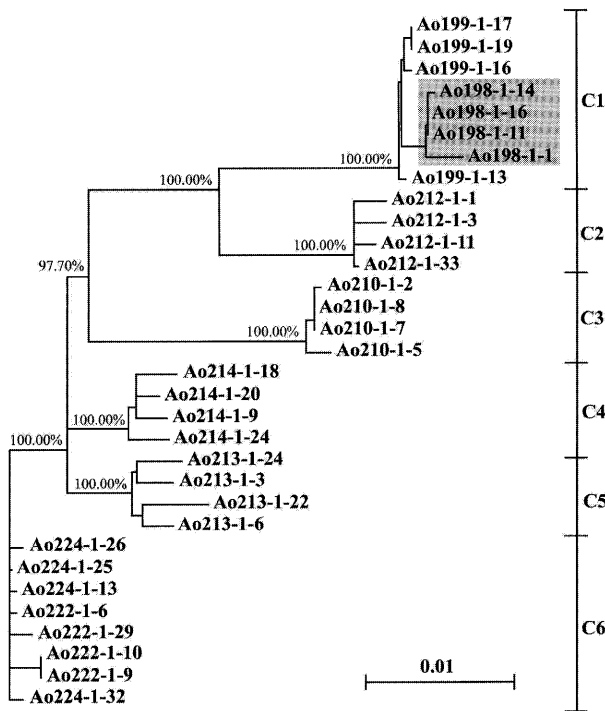


Fig. 4. Phylogenetic tree based on nucleotide sequences obtained by neighbor-joining (NJ) method for capsid fragments of the isolates. Branch lengths are proportional to the distances between the taxa. The values at the branch points indicate the percentage support for a particular node after 1000 bootstrap replicates were performed. Ao198 is the source of infections.

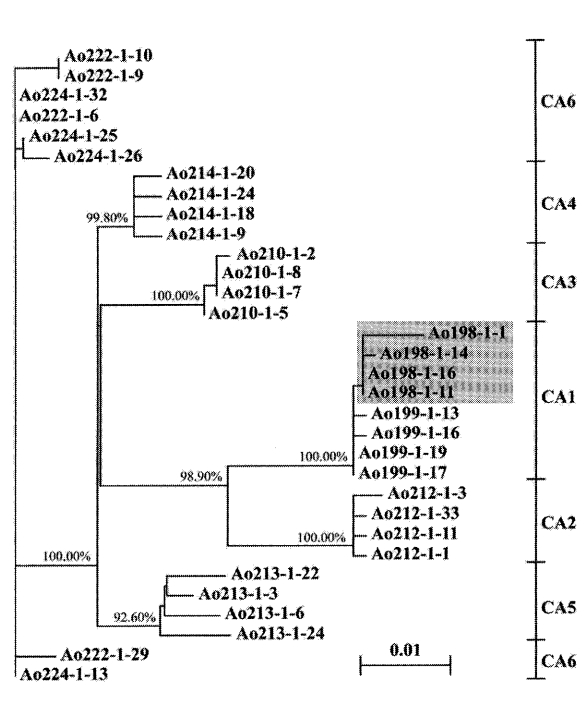


Fig. 5. Phylogenetic tree based on amino acid sequences obtained by neighbor-joining (NJ) method for capsid fragments of the isolates. Branch lengths are proportional to the distances between the taxa. The values at the branch points indicate the percentage support for a particular node after 1000 bootstrap replicates were performed. Ao198 is the source of infections.

ったと推察された (図 4.5)。

5) 感染源とされる PERO や MIRO はウイルスが分離された仔猫の親猫ではないが、一般的に雄は仔猫に

興味を示すことはなく、仔猫の世話をするのは専ら雌猫であるので、母猫から仔猫への伝播が推測されたが今回は、雄成猫が感染源となり、仔猫へ感染するという結果となった。

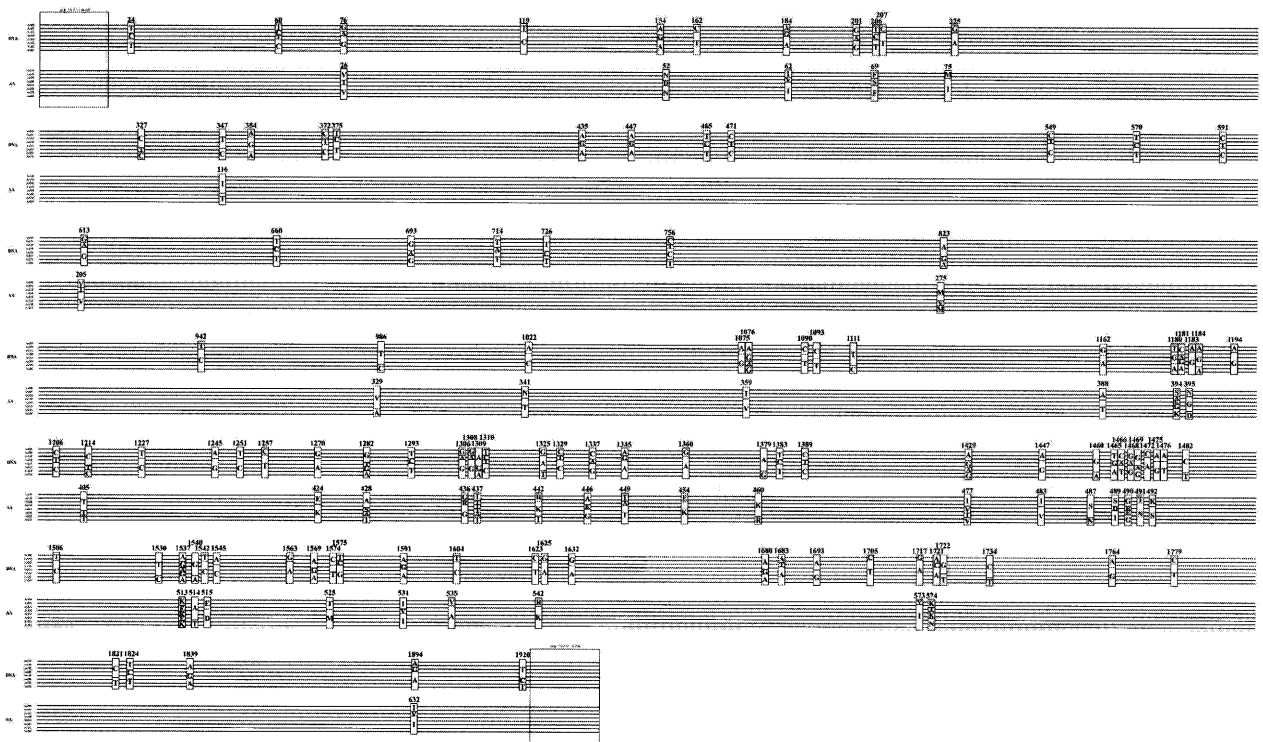


Fig.6. Alignment of the isolated viruses.

6) 遺伝子解析では、中和抗原エピトープとされるC領域でヌクレオチドは33%，アミノ酸は50%，E領域でヌクレオチドは11.2%，アミノ酸は20% (5'hvr; 11.8%, 23.5%, constant; 5.7%, 10.3%, 3'hvr; 15.6%, 25%, ヌクレオチド, アミノ酸の順) にそれぞれ変化していた。これら以外の領域は、ヌクレオチドが2.9～9.3%，アミノ酸が2.2～5.4%で低かった。これらは、抗原性と関与するC, E領域の変異が激しいという従来の報告と類似していた (図6)。

#### 4. 要約

一般的に雄は仔猫に興味を示すことはなく、仔猫の世話をするのは専ら雌猫であるが、今回は、雄成猫が感染源となり、仔猫へ感染するという結果となった。

#### References

- 1) Addie DD, Jarrett O. (1990) Control of feline coronavirus infection in kittens. *Vet Rec*. 126: 164.
- 2) Addie DD, Jarrett O. (1992) A study of naturally occurring feline coronavirus infections in kittens. *Vet Rec*. 130: 133-7.
- 3) Carter MJ, Milton ID, Meanger J, Bennett M, Gaskell RM, Turner PC (1992) The complete nucleotide sequence of feline calicivirus. *Virology* 190: 443-448
- 4) Crandell RA, Fabvican CG, Nelson-Rees WA (1973) Development and characterization and viral susceptibility of a feline (*Felis catus*) renal cell line (CRFK). *In Vitro Cellular and Developmental Biology. Animal* 9: 76-85
- 5) Cubitt D, Bradley DW, Carter MJ, Chiba S, Estes MK, Salf LJ, Shaffer FL, Smith AW, Studdert MJ, Thied HJ (1995) Classification and nomenclature of viruses. In: *Sixth Report of the International Committee on Taxonomy of Viruses. Virus taxonomy*. Springer-Verlag Wien New York, Austria, pp359-363
- 6) Dawson S, Gaskell RM (1993) Investigation of vaccine reactions and breakdowns after *feline calicivirus* vaccination. *Vet Rec* 132: 342-350
- 7) Gaskell RM, Dawson S (1998) Feline respiratory disease. In: Greene CE (ed) *Infections Diseases of the Dog and Cat*. 2nd edn. W. B. Saunders Co., Philadelphia, pp97-106
- 8) Geisler K, Shneider K, Truyen U (2002) Mapping neutralizing and non-neutralizing epitopes on the capsid protein of *feline calicivirus*. *J Vet Med B Infect Dis Vet Public Health* 49: 55-60
- 9) Guiver M, Littler E, Caul EO, Fox AJ (1992) The

- cloning, sequencing and expression of a major antigenic region from the *feline calicivirus* capsid protein. *J Gen Virol* 73: 2429-2433
- 10) Hodatsu T, Sato K, Tajima T, Koyama H (1999) Neutralizing feature of commercially available feline calicivirus (FCV) vaccine immune sera against FCV field isolates. *J Vet Med Sci* 61: 299-301
- 11) Holzinger EA, Kahn DE (1970) Pathologic Features of *Picornavirus infection* in cats. *Am J Vet Res* 31: 1623-1630
- 12) Love DN (1975) Pathogenicity of strain of *feline calicivirus* for domestic Kittens. *Aust Vet J* 51: 541-546
- 13) Mead DA, Pey NK, Herinstadt C, Marcil RA, Smith LM (1991) A universal method for the direct cloning of PCR amplified nucleic acid. *Bio/Technology* 9: 657-663
- 14) Milton LD, Turner K, Teelan A, Gaskell R, Turner PC, Carter MJ (1992) Location of monoclonal antibody binding sites in the capsid protein of feline calicivirus. *J Gen Virol* 73: 2435-2439
- 15) Neill JD, Reardon IM, Heinrikson RL. (1991) Nucleotide sequence and expression of the capsid protein gene of feline calicivirus. *J Virol*. 65: 5440-7.
- 16) Neill JD (1992) Nucleotide sequence of the capsid protein gene of two serotypes of *San Miguel sea line virus*: identification of conserved and non-conserved amino acid sequences among calicivirus sequences. *Virus Res* 24: 211-222
- 17) Pedersen NC, Laliberte L, Ekman S (1983) A transient febrile limping syndrome of kittens caused by two different strains of *feline calicivirus*. *Feline Practice* 13: 26-35
- 18) Pedersen NC (1993) *Feline infectious diseases*, American Veterinary Publications, Inc., U.S.A., pp58-64
- 19) Povey RC, Wardley RC, Jessen H (1973) *Feline picornavirus infection: the in vivo carrier state*. *Vet Rec* 92: 224-229
- 20) Povey RC, Hale CJ. (1974) Experimental infections with feline calicivirus (picornaviruses) in specific-pathogen-free kittens. *J Comp Pathol*. 84: 245-56.
- 21) Radford AD, Bennett M, McArdle F, Dawson S, Turner PC, Glenn M, Gaskell RM (1997) The use of sequence analysis of a *feline calicivirus* (FCV) hypervariable region in the epidemiological investigation of FCV related disease and vaccine failures. *Vaccine* 15: 1451-1458
- 22) Radford AD, Turner PC, Bennett M, McArdle F, Dawson S, Glenn MA, Williams RA, Gaskell RM. (1998) Quasispecies evolution of a hyper variable region of feline calicivirus capsid gene in cell culture and in persistently infected cats. *J of Gen Virol* 79: 1-10
- 23) Radford AD, Bennett M, McArdle F, Dawson S, Turner PC, Williams RA, Glenn MA, Gaskell RM. (1999) Quasispecies evolution of a hyper variable region of feline calicivirus capsid gene in cell culture and in persistently infected cats. *Vet Microbiol* 69: 67-8
- 24) Radford AD, Sommerville L, Ryvar R, Cox MB, Johnson DR, Dawson S, Gaskell RM. (2001a) Endemic infection of a cat colony with a feline calicivirus closely related to an isolate used in live attenuated vaccines. *Vaccine*. 19: 4358-62.
- 25) Radford AD, Sommerville LM, Dawson S, Kerins AM, Ryvar R, Gaskell RM. (2001b) Molecular analysis of isolates of feline calicivirus from a population of cats in a rescue shelter. *Vet Rec*. 149: 477-81.
- 26) Radford AD, Dawson S, Ryvar R, Coyne K, Johnson DR, Cox MB, Acke EF, Addie DD, Gaskell RM. (2003) High genetic diversity of the immunodominant region of the feline calicivirus capsid gene in endemically infected cat colonies. *Virus Genes*. 27: 145-55.
- 27) Sato Y, Ohe K, Murakami M, Fukuyama M, Furuhashi K, Kishikawa S, Suzuki Y, Kiuchi A, Hara M, Ishikawa Y, Taneno A (2002) Phylogenetic analysis of field isolates of *feline calicivirus* (FCV) in Japan by sequencing part of its capsid gene. *Vet Res Commun* 26: 205-219
- 28) Sato Y, Ohe K, Fukuyama M, Furuhashi K, Kishikawa S, Sakai S, Kiuchi A, Hara M, Watanabe T, Ishikawa Y, Taneno A. (In press) Isolation and properties of the feline calicivirus from cats dying in an agitated state. *Vet Rec*.
- 29) Seal BS, Ridpath JF, Mengeling WL (1993) Analysis of *feline calicivirus* capsid protein genes; identification of variable antigenic determinant region of the protein. *J Gen Virol* 74: 2519-2524
- 30) Seal BS. (1994) Analysis of capsid protein gene variation among divergent isolates of *feline calicivirus*. *Virus Res*. 33: 39-53.
- 31) Shin YS, Tohya Y, Oshikamo R, Kawaguchi Y, Tomonaga K, Miyazawa T, Kai C, Mikami T (1993) Antigenic analysis of *feline calicivirus* capsid precursor protein and its polypeptides produced in a mammalian cDNA expression system. *Virus Res* 30: 17-26
- 32) Tohya Y, Yokoyama N, Maeda K, Kawaguchi Y, Mikami T (1997) Mapping of antigenic sites involved in neutralization on the capsid protein of *feline calicivirus*. *J of Gen Virol* 78: 303-305
- 33) Wardley RC (1976). *Feline calicivirus* carrier state: a

- study of the host / virus relationship. Arch Virol 52: 243-249
- 34) Wardley RC, Povey RC (1977) The clinical disease and patterns of excretion associated with three different strains of *feline caliciviruses*. Res Vet Sci 23: 7-14
- 35) Wardley RC, Povey RC (1977) The pathology and sites of persistence associated with three different strains of *feline calicivirus*. Res Vet Sci 23: 15-19